

Economate Series

FEATURES INCLUDE:

- 3" opening for "hockey puck" style tablets
- Compact & economical low-cost design
- See-through or solid body design
- 1" plumbing for high-flow systems
- Optional 125LB Pressure relief valve
- Sturdy bolt-down base

TO OPEN THE ECONOMATE

Always shut off the pump before servicing tank

1. Isolate the Economate by closing the inlet ball valve.
2. Open the drain/bleed valves as needed.
3. Carefully unscrew the closure & allow unit to drain.
4. Do NOT strike closure with a metal hammer to loosen.

TO CLOSE THE ECONOMATE

1. Check that the sealing O-Ring is in place inside cover.
2. Check that all drain/bleed valves are closed.
3. Adequately lubricate O-Ring & sealing surface.
4. Replace cover on unit and seal tightly.
5. Open the inlet ball valve and return to service.

LUBRICATION

Use only Silicone-based lubricants on closure O-Ring & sealing surface. Never use petroleum-type lubricants or vegetable oil. If cover does not turn on easily, check that threads are free of debris and apply more lubricant as needed.

WINTERIZING

In situations where freezing temperatures can be expected, follow the "opening" procedure and drain all water from the Economate. Carefully remove undissolved tablets and thoroughly rinse the Economate with water. Proceed to place the closure back on the unit and leave all valves shut.

CAUTION

Never inhale fumes or dust from the Economate. Protection (polyvinyl gloves & safety glasses) should be worn when servicing the feeder. All Economate tanks are pressure-tested prior to shipping. To prevent buildup of gas in the unit, make certain the discharge line to the feeder is unrestricted and not blocked by valves of any kind. NEVER add automated control valves downstream from unit.

vector
industries, inc.



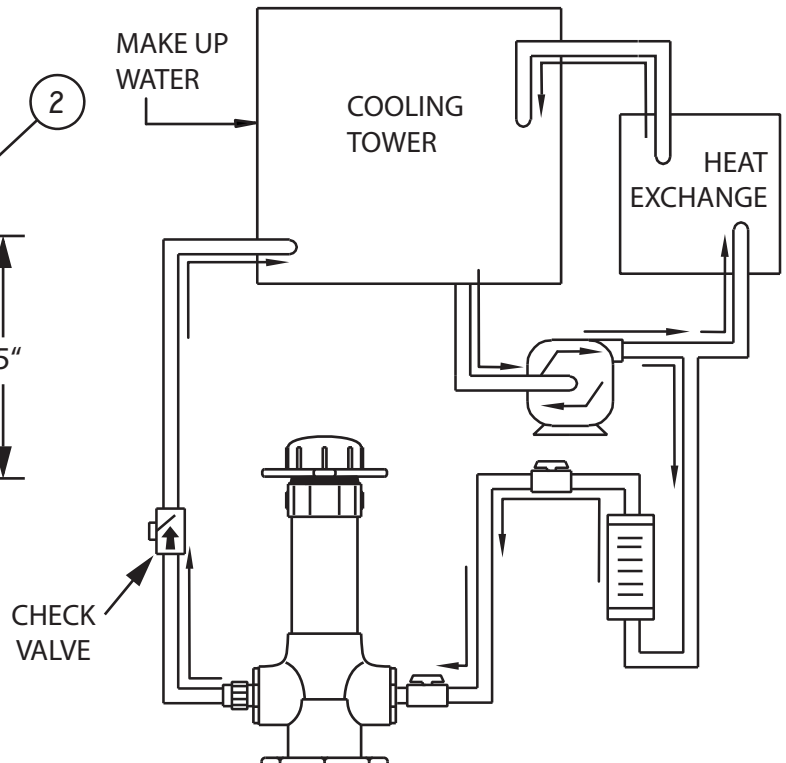
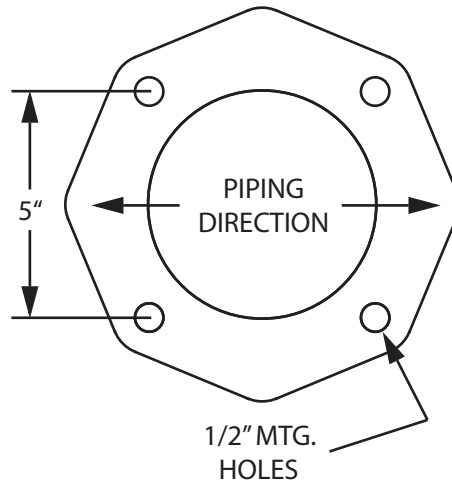
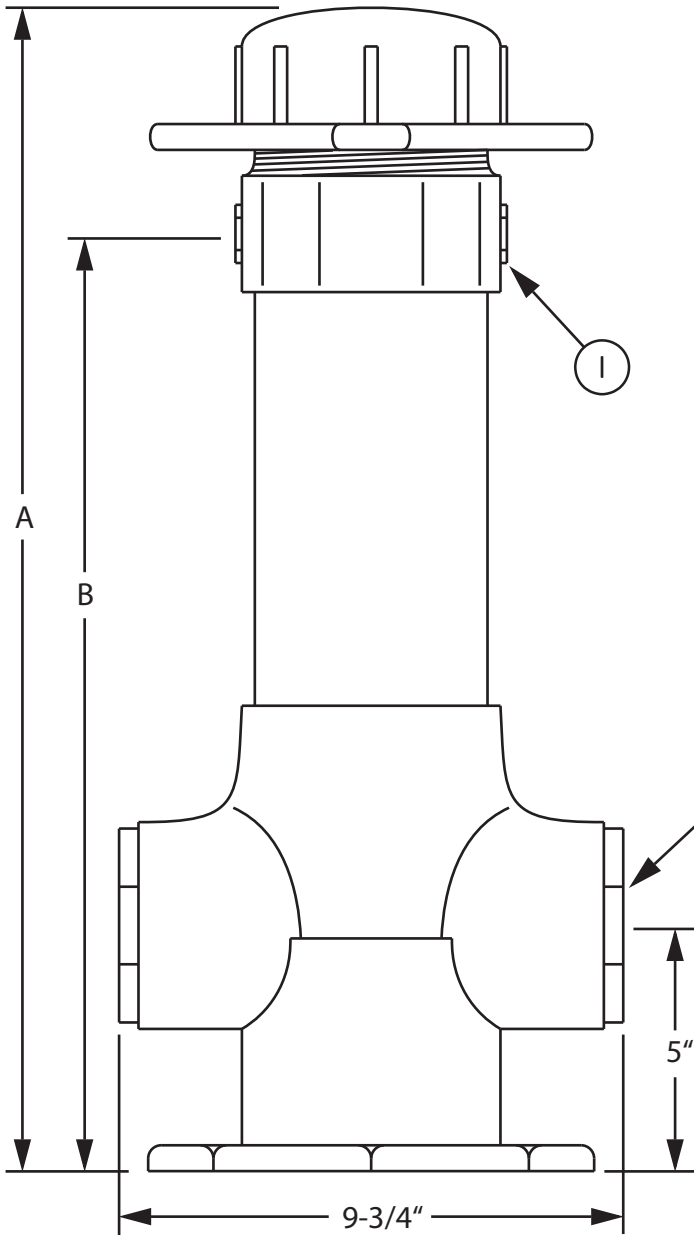


ector Industries, Inc.

W220 N1560 Jericho Court, Waukesha WI 53186

Economate Series Biocide Feeders

Model	Capacity	A	B
Economate-5	5 POUNDS	23"	18"
Economate-8	8 POUNDS	35"	30"



All relief & control valves sold separately

① 1/2" FEMALE NPT PORT [x2]

② 1" FEMALE NPT PORT [x2]