

CHEM-TECH

Series CTP

PULSAFEEDER[®]
A Unit of IDEX Corporation

The *Series CTP* offers a bold new look in reliability and value and is available in three control options offering feed rates up to 56 GPD with pressures to 125 PSI.

The *Series CTP-A* includes a percentage dial for reliable operation and adjustable feed rates in 5-second increments.

The *Series CTP-AE* is a 100% fixed rate economy model with an on-off dial for applications requiring constant feed and easy use. Both *Series CTP-A* and *CTP-AE* models are available with optional 7-day timers for biocide feed or other timed applications.

For applications requiring precise feed rates, the *Series CTP-D* offers digital control from 10% to 100% up to 56 GPD. Adjustable in 1% increments, the *Series CTP-D* provides maximum control for demanding applications.

Simplex and duplex head configurations are both available. Please refer to the reverse side for *Series CTP* specifications.

Operating Benefits

Simplified operation. Push-button prime switch and on-off dial provide quick, safe start-up and convenience. The simplified control pad allows easy incremental adjustment and feed rate control.

Reliable operating performance. Self-priming, automatic de-gassing design assures that the metering pump won't airlock and will deliver constant feed. High-strength Norprene[®] peristaltic tubing is rated for consistent feed over periods of extended use.

Low maintenance. No tube adjustment is required. Roller assembly is self-lubricating. Rugged, chemical-resistant ABS housing and heavy-duty gearmotor are engineered for years of maintenance-free service in demanding applications.

Versatility

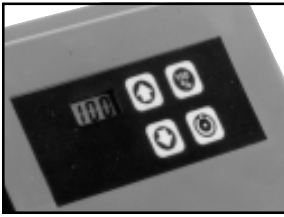
Meter a wide variety of chemicals. Automatic de-gassing allows trouble-free metering of sodium hypochlorite, peroxide and other gas producing solutions. Self-priming, clear polycarbonate head assembly with high-strength peristaltic tubing maximizes safety when metering acids and other caustic solutions.

Immediate installation and start-up. All models are delivered with a plug-in power cord (in a wide choice of configurations) and the peristaltic tubing installed. Standard accessories included with each model are strainer assembly, injection fitting, discharge and suction tubing.



technology
innovation diversity
excellence

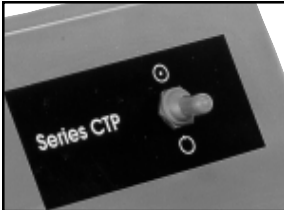
CHEM-TECH Series CTP Specifications



Series CTP-D

Series CTP-D

Digital control with percentage output display available with capacities up to 56 GPD. Provides precise adjustment of feed rate from 10% to 100%.



Series CTP-AE

Series CTP-AE

Economical fixed rate model features simple on-off switch for applications requiring constant feed.

Mechanical Timer

Programmable 7-day timer enables scheduled metering for biocides or other timed applications. On-off settings provided in 2-hour increments.



Mechanical Timer

Solid-State Electronic Timer

7-day timer is programmable in 1 minute increments, with up to 8 events per day, suitable for a wide range of timed applications.

Duplex Models

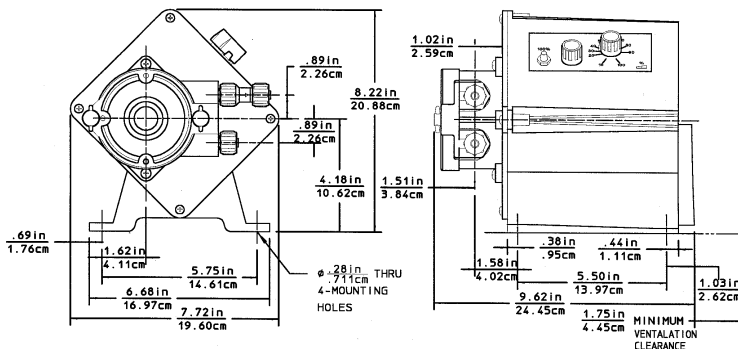
Duplex wetted ends facilitate metering of two different solutions simultaneously. Mixed flow rates available.



Solid State Electronic Timer

KOPkit®

Convenient package of recommended replacement parts. Includes peristaltic tubing, head assembly, and other items that normally require preventive maintenance.



Model Number Selection Table

CTP□□□□□-PAP1-XXXXX

Position: 1 2 3 4 5 6 7 8 9 10 11 12 13 14 15 16 17

①-③

CTP = Chem-Tech Peristaltic

④

Motor Type

A = Series CTP-A / AE Simplex
B = Series CTP-A / AE Duplex
D = Series CTP-D Simplex
E = Series CTP-D Duplex

⑤-⑥

Tubing

Select from chart below, for size and material with proper pressure rating

MAX PRESSURE PSIG/BAR	SERIES CTP-A / AE, 30 RPM				
	FLOW - GPD/LPH				
	3.5/55	8/1.3	13/2.0	30/4.7	
125/8.6	2H				
110/7.6		3H			
100/5.9			4H		
80/5.5	2L			6H	
70/4.8		3L			
60/4.1	2F				
50/3.4		3F	4L		
40/2.8			4F	6L	

MAX PRESSURE PSIG/BAR	SERIES CTP-D, 60 RPM				
	FLOW - GPD/LPH				
	7/1.1	16/2.5	26/4.1	60/9.5	
125/8.6	2H				
110/7.6		3H			
100/6.9			4H		
80/5.5				6H	
60/4.1	2F				
50/3.4		3F			
40/2.8			4F		

⑦

Control Option

S = Standard - Series CTP-A / CTP-D

E = Series CTP-AE

T = 7-Day Mechanical Timer with Series CTP-A

R = 7-Day Mechanical Timer with Series CTP-AE

D = 7-Day Electronic Timer with Series CTP-A / CTP-D

C = 7-Day Electronic Timer with Series CTP-AE

⑧

Electrical Option

A = 115 volts, 60 Hz, with 6 ft. minimum 3-wire power cord with grounded U.S. plug, with agency approvals.

B = 230 volts, 60 Hz, with 6 ft. minimum 3-wire power cord with grounded U.S. plug, with agency approvals.

R = 230 volts, 50 Hz, with 6 ft. minimum 3-wire power cord with grounded plug, European CEE7 right angle.

S = 230 volts, 50 Hz, with 6ft. minimum 3-wire power cord with grounded plug, European CEE7G straight.

T = Swiss 230 volts, 50 Hz, with 6 ft. minimum 3-wire power cord with plug.

U = Australia 250 volts, 50 Hz, with 6 ft. minimum 3-wire power cord with plug.

1 = 115 volts, 60 Hz, with 6 ft. minimum 3-wire power cord with grounded U.S. plug. No approvals.

2 = 230 volts, 60 Hz, with 6 ft. minimum 3-wire power cord with grounded U.S. plug. No approvals.

3 = 230 volts, 50 Hz, with 6 ft. minimum 3-wire European power cord, no plug.

⑨

Connector Material

P = PVC

⑩

Connection Type

A = 1/4" NPT and .25 O.D. tubing connection

⑪

Head Material

P = Polycarbonate

⑫

Bearing Materials

1 = Oilite / hardened steel

⑬-⑰

Options



An ISO Certified Company



A Unit of IDEX Corporation

Standard Product Operations

27101 Airport Road • Punta Gorda, Florida 33982
 TEL (941) 575-3800 • TEL 800-333-6677
 FAX (941) 575-4085 • FAX 800-456-4085
 spotech@pulsa.com • www.pulsa.com