

PP101 POWER PACK



The Carlion Meter Power Pack 101 provides a means to have separate, independent circuits signaled from the output pulse signal of a dry contact meter (Carlion JSJ Series, for example) or a reed switch or “hall effect” meter. Sometimes called a “splitter”, the unit provides two isolated output signals, which carry independent voltage from two respective sources. Sources can be a controller, a remote counter, or some other receiving device.

The unique circuitry of the PP101 is designed to isolate any excessive power supply signal value from the dry contact switch on the meter. Excessive power signals can permanently damage reed or hall effect switches. A wiring terminal strip is provided to offer a variety of components that can be used with the Power Pack 101.



1710 EATON DRIVE • GRAND HAVEN, MICHIGAN 49417

PHONE (616) 842-0420 FAX (616) 842-1265

E-MAIL CARLON@CARLONMETER.COM • WWW.CARLONMETER.COM

POWER PACK 101 SPECIFICATIONS

Input Power: 120 V AC

Meter Inputs: Dry Contact (Micro or Reed Switch) or 3 wire Hall Effect

Pulse Output Choices: 2 Dry Contacts, or 1 Dry Contact and 1 - 24VAC

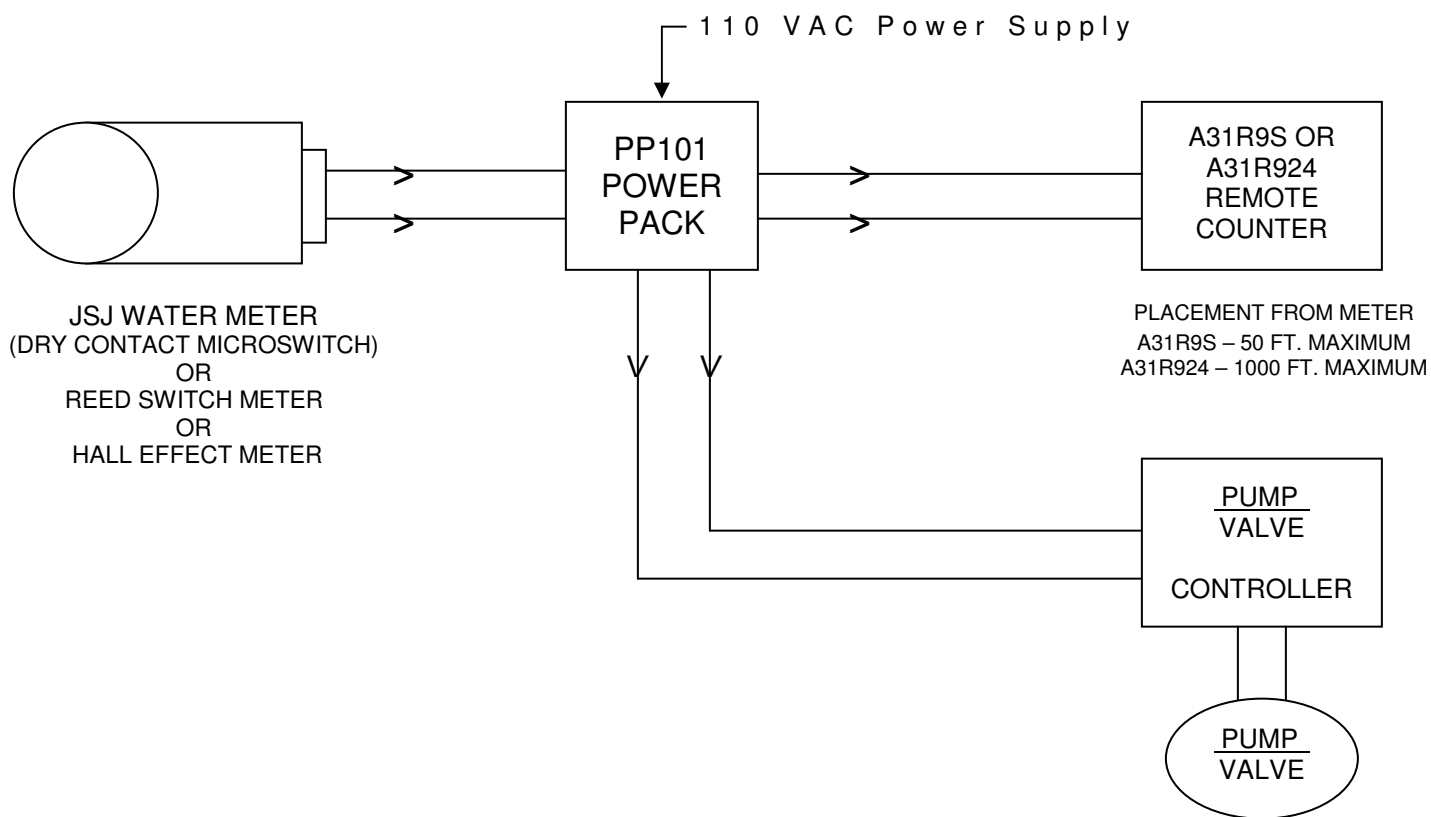
Pulse Duration: 0.5 Seconds

Temperature Range: 14 – 122 Degrees F°

Dimensions: 6" Wide x 6" High x 3" Deep

Weight: 2 lbs.

TYPICAL SYSTEM WIRING



Warranty: Carlon warrants its products to be free of defect in material or workmanship for a period of twelve months from the date of purchase. Contact us to obtain a copy of our complete statement of warranty.

Additional Information: Visit us online at www.carlonmeter.com